



Spare part's book

102
SERIES

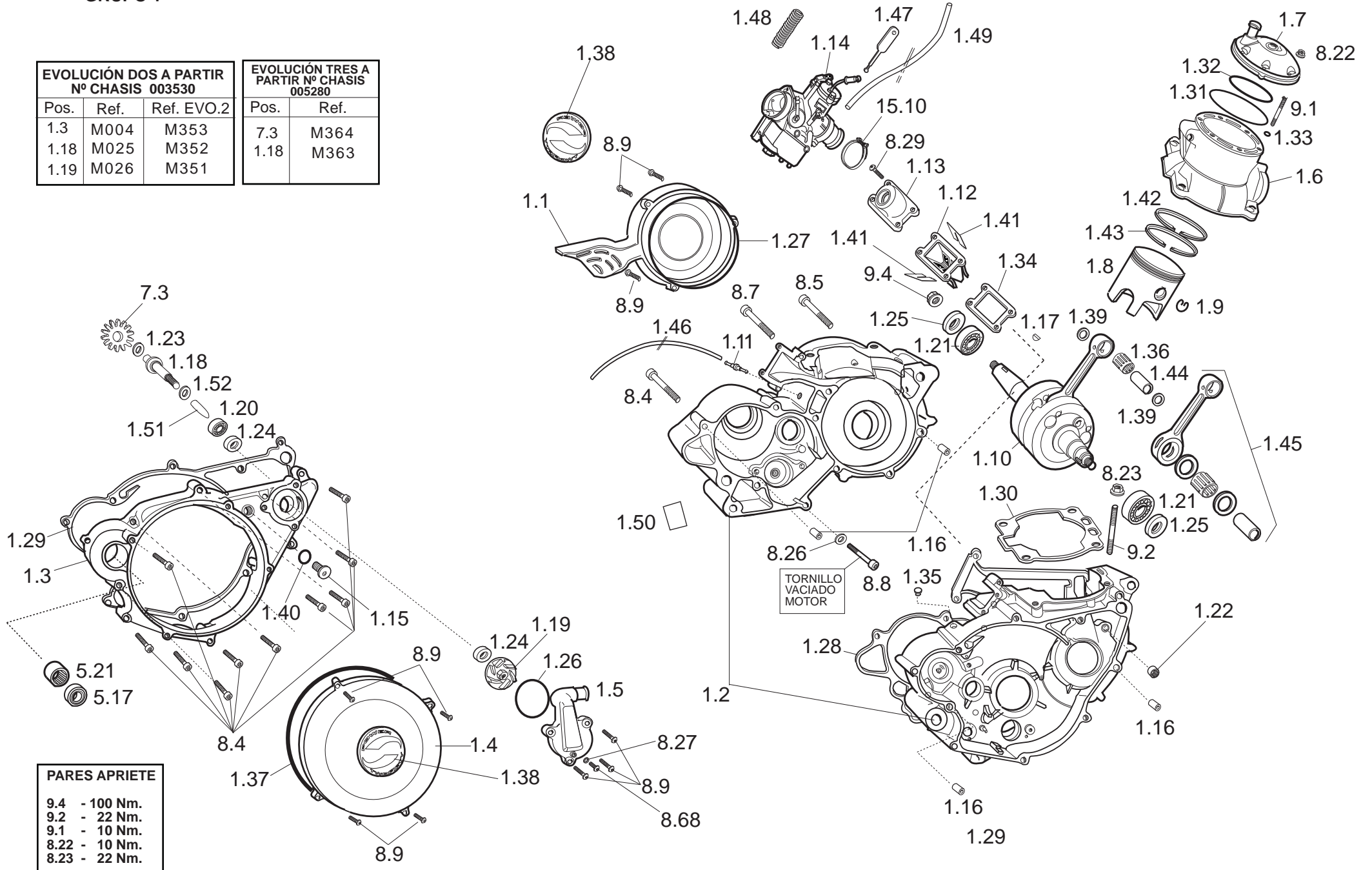
POWER

1'25 | 2'0 | 2'5 | 2'9

SHERCO
Motorcycles

GRUPO 1

EVOLUCIÓN DOS A PARTIR Nº CHASIS 003530			EVOLUCIÓN TRES A PARTIR Nº CHASIS 005280	
Pos.	Ref.	Ref. EVO.2	Pos.	Ref.
1.3	M004	M353	7.3	M364
1.18	M025	M352	1.18	M363
1.19	M026	M351		

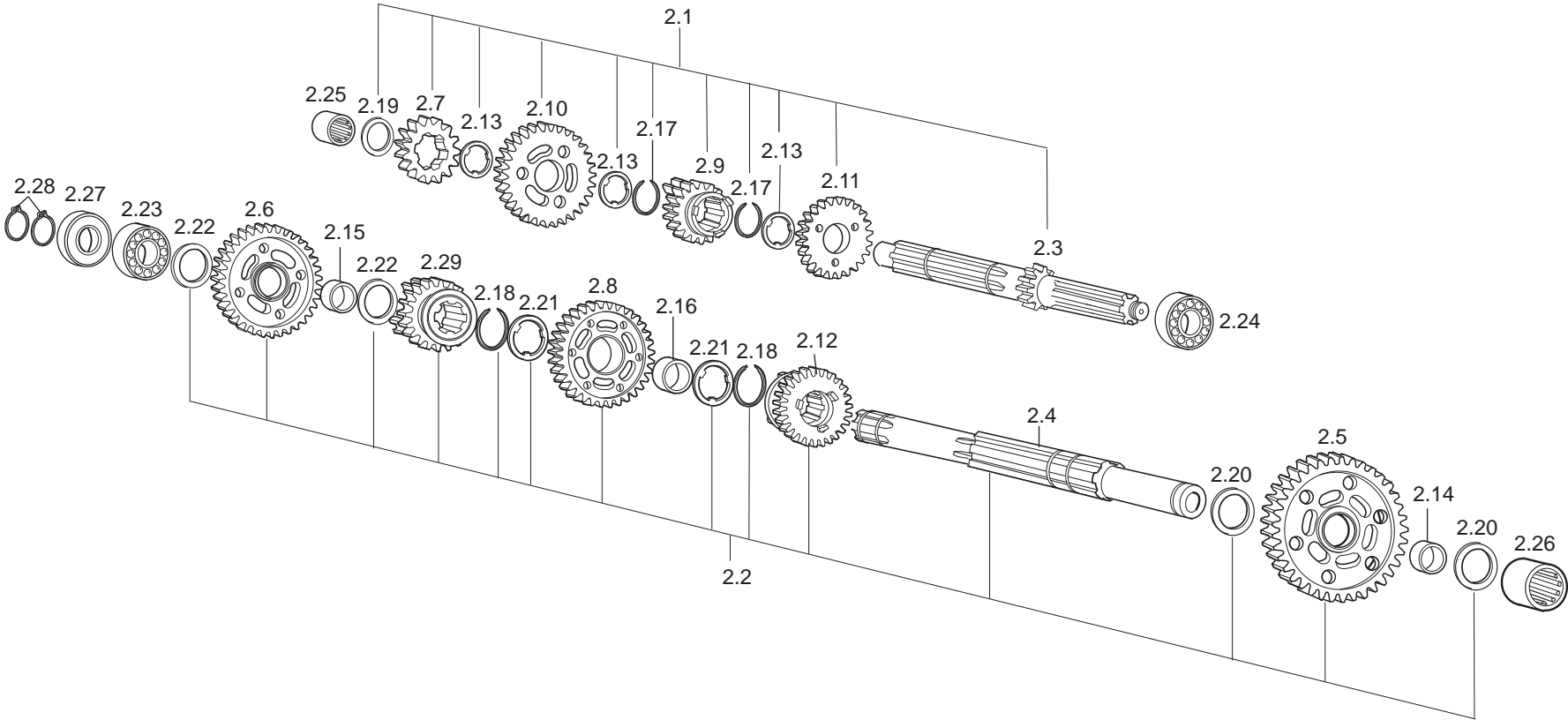


PARES APRIETE	
9.4	- 100 Nm.
9.2	- 22 Nm.
9.1	- 10 Nm.
8.22	- 10 Nm.
8.23	- 22 Nm.

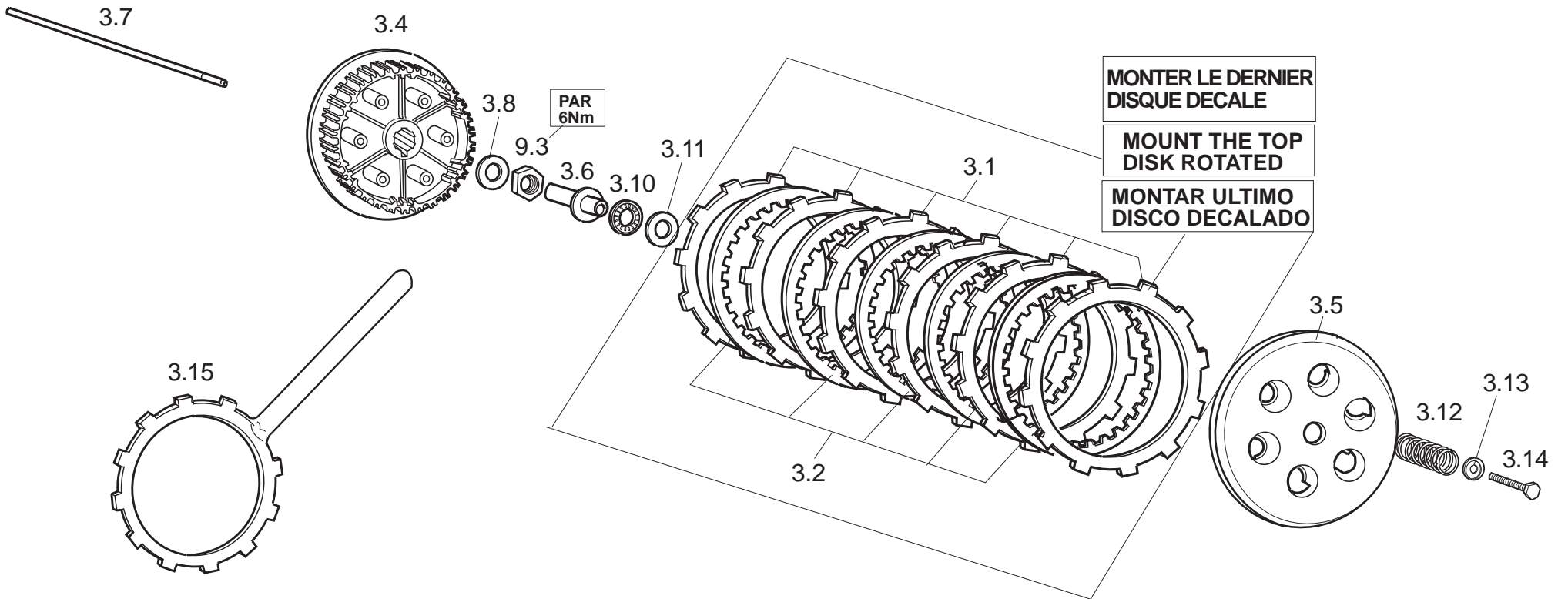
POS.	REFERENCIAS				ESPAÑOL	ENGLISH	FRANÇAIS
	1.2	2.0	2.5	2.9			
1.1	M001	M001	M001	M001	TAPA ENCENDIDO	IGNITION COVER	CARTER ALLUMAGE
1.2	M210	M210	M002	M002	CARTERS CENTRALES	CRANCKCASES SET	GROUPE CARTERS CENTRAUX
1.3	M353	M353	M353	M353	CARTER LATERAL DERECHO	BOTTOM CLUTCH COVER	CARTER LATERAL DROIT
1.4	M005	M005	M005	M005	TAPETA EMBRAGUE	CLUTCH COVER	COUVERCLE EMBRAYAGE
1.5	M006	M006	M006	M006	TAPA BOMBA AGUA	WATER PUMP COVER	COUVERCLE POMPE EAU
1.6	M214	M215	M007	M246	CILINDRO	CYLINDER	CYLINDRE
1.7	M216	M217	M008	M247	CULATA	CYLINDER HEAD	CULASSE
1.8	M212	M213	M009	M245	PISTON+ BULON+ AROS+ CIRCLIPS	PISTON COMPLET	PISTON COMPLET
1.9	R218	R218	M013	M013	SERCLIP PISTON	PISTON CIRCLIP	CIRCLIPS PISTON
1.10	M211	M211	M014	M014	CIGUENAL COMPLETO	CRANK SHAFT ASSY	VILEBREQUIN COMPLET
1.11	M016	M016	M016	M016	TUBO DEPRESOR CARTERS	CRANKCASE BREATHER	RENIFLAR CARTER CENTRAL
1.12	M018	M018	M018	M018	CAJA DE LAMINAS COMPLETA	REEDS CASE	BOITE A CLAPETS
1.13	M019	M019	M019	M019	TOBERA ADMISION	ADMISION PIPE	PIPE ADMISSION
1.14	M020	M020	M020	M020	CARBURADOR COMPLETO	CARBURETOR COMPLETE	CARBURATEUR COMPLET
1.15	M021	M021	M021	M021	TAPON LLENADO ACEITE CARTER	CARTER FILTER TAP	BOUCHON REMPLISSAGE HUILE
1.16	M022	M022	M022	M022	CASQUILLO CENTRADOR CARTER	DOUILLE CENTRAGE CARTER	DOUILLE CENTRAGE CARTER
1.17	M023	M023	M023	M023	CHAVETA ENCENDIDO	WOODRUFF KEY	CLAVETTE DEMI LUNE VIL
1.18	M363	M363	M363	M363	EJE BOMBA AGUA	WATERPUMP AXLE	AXE POMPE A EAU
1.19	M351	M351	M351	M351	TURBINA BOMBA AGUA	WATERPUMP TURBINE	TURBINE DE POMPE A EAU
1.20	M027	M027	M027	M027	COJINETE BOMBA AGUA 608 2RS	WATERPUMP BEARING	ROULEMENT BILLE POMPE EAU 608.2RS
1.21	M218	M218	M028	M028	COJINETE CIGUENAL 6206 C3	CRANCKSHAFT BEARING	ROULEMENT BILLE VILO 6206.C3
1.22	M029	M029	M029	M029	COJINETE AGUJAS BOMBA AGUA HK0808B	WATERPUMP NEEDLE BEARING	ROULEMENT AIGUILLE POMPE EAU
1.23	M030	M030	M030	M030	ARANDELA BOMBA AGUA 8X16X1	WATERPUMP BUSH 8X16X1	RONDELLE BUTEE POMPE A EAU 8x16x1
1.24	M031	M031	M031	M031	RETEN BOMBA AGUA	WATERPUMP SEAL	JOINT LEVRE POMPE A EAU 8x20x5DL
1.25	M219	M219	M032	M032	RETEN CIGUENAL	CRANCKSHAFT SEAL	JOINT LEVRE VILO 24x40x7DL
1.26	M033	M033	M033	M033	JUNTA TORICA TAPA BOMBA AGUA	O-RING WATERPUMP COVER	JOINT TORIQUE COUVERCLE POMPE
1.27	M034	M034	M034	M034	JUNTA TORICA TAPA ENCENDIDO	O-RING IGNITION COVER	JOINT TORIQUE COUVERCLE ALLUMAGE
1.28	M220	M220	M035	M035	JUNTA CARTER CENTRAL	CENTRAL CRANCKCRASE GASKET	JOINT CARTER CENTRAL
1.29	M036	M036	M036	M036	JUNTA CARTER LATERAL	CLUTCH GASKET	JOINT CARTER LATERAL
1.30	M221	M221	M037	M037	JUNTA CILINDRO	CYLINDER GASKET	JOINT EMBASE CYLINDRE
1.31	M222	M222	M222	M038	JUNTA TORICA CULATA EXTERIOR	CYLINDER HEAD O-RING	JOINT TORIQUE CULASSE VITON
1.32	M223	M223	M223	M039	JUNTA TORICA CULATA INTERIOR	CYLINDER HEAD O-RING	JOINT TORIQUE CULASSE VITON
1.33	M040	M040	M040	M040	JUNTA TORICA ESPARRAGO CULATA 5,7X1,9	CYLINDER HEAD O-RING BOLT 5,7X1,9	JOINT TORIQUE CYLINDRE 5,7x1,9
1.34	M041	M041	M041	M041	JUNTA CAJA LAMINAS	REEDS CASE GASKET	JOINT BOITE CLAPET
1.35	M042	M042	M042	M042	REMACHE CARTER CENTRAL	CRANKCASE RIVET	RIVET CARTER CENTRAL
1.36	M241	M241	M043	M248	COJINETE AGUJAS PISTON KBK 18X22X24	PISTON NEEDLE BEARING	CAGE AIGUILLE PISTON KBK 18x22x24
1.37	M045	M045	M045	M045	JUNTA TORICA 155X2 TAPA EMBRAGUE	O-RING 155x2	JOINT TORIQUE 155x2
1.38	C189	C190	C187	C188	ADHESIVO CARTER	THUMBS ENGINE STICKER	ADESIF RESINE
1.39	M354	ARANDELA ESPECIAL PISTON	GUDGEON PIN SHIMS	RONDELLE SPECIAL PISTON
1.40	M162	M162	M162	M162	JUNTA TORICA TAPON ACEITE	O-RING	TORIQUE 10x2.5 BOUCHON HUILE
1.41	R022	R022	R022	R022	JUEGO LAMINAS	REED VALVES	CLAPET RECHANGE
1.42	RO11	ARO L	RING L	SEGMENT L
1.43	R213	R214	R012	R215	ARO RECTANGULAR	RING NORMAL	SEGMENT RECTANGULAIRE
1.44	R219	R220	R013	R221	BULON PISTON	PISTON PIN	AXE DE PISTON
1.45	R212	R212	R021	R021	KIT BIELA	CRANCKSHAFT REPAIR KIT	KIT BIELLE
1.46	M017	M017	M017	M017	TUBO DEPRESOR 3X5	CRANKCASE BREATHER PIPE	DURITE RENIFLAR 3X5
1.47	M015	M015	M015	M015	TIRADOR STARTER	CHOKE LEVER TAG	LEVIER STARTER
1.48	M044	M044	M044	M044	MUELLE CARBURADOR	SPRING CARBURETOR	RESSORT CARBURATEUR
1.49	M012	M012	M012	M012	TUBO GASOLINA CARBURADOR	RUBBER TUB PETROL	DURITE ESSENCE CARBURATUER
1.50	M079	M079	M079	M079	ADESIVO OIL OUT	STICKER OIL OUT	ADESIF OIL OUT
1.51	R232	R232	R232	R232	UTIL PROTECCION ROSCA	PIN AXLE WATERPUMP	CAPUCHON FILETAGE AXE POMPE EAU
1.52	M049	M049	M049	M049	ARANDELA 8X16X0.5	WATERPUMP BUSH 8X16X0.5	RONDELLE BUTEE POMPE A EAU8X16X0.5

SHERCO

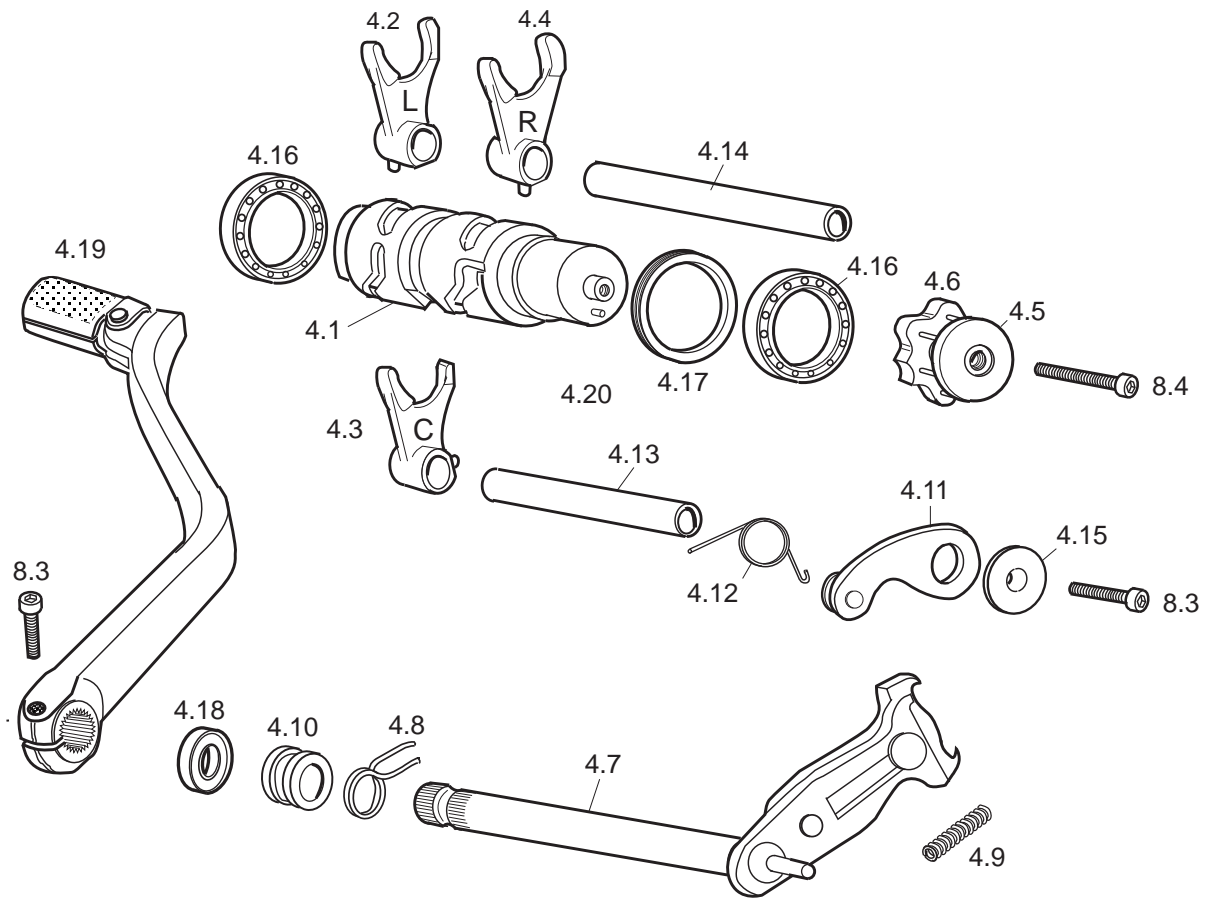
GRUPO 2



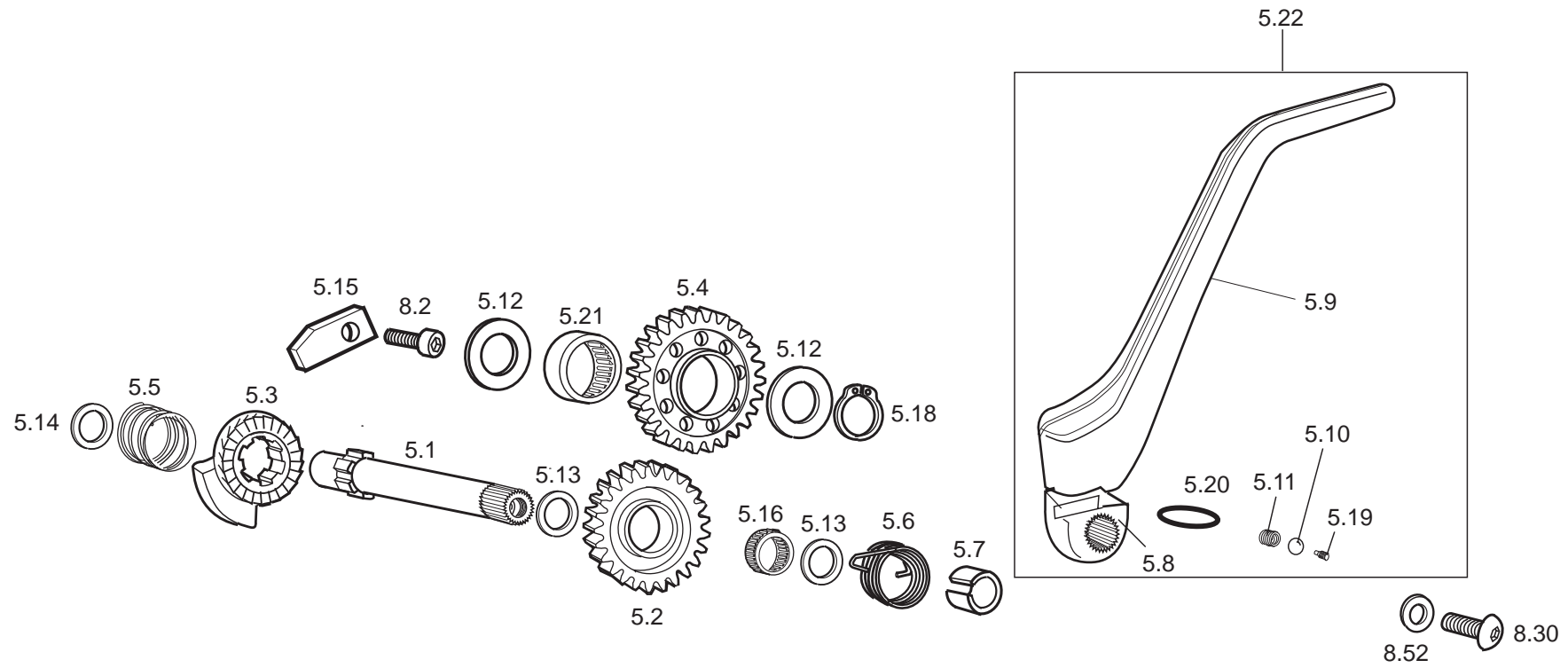
GRUPO 3



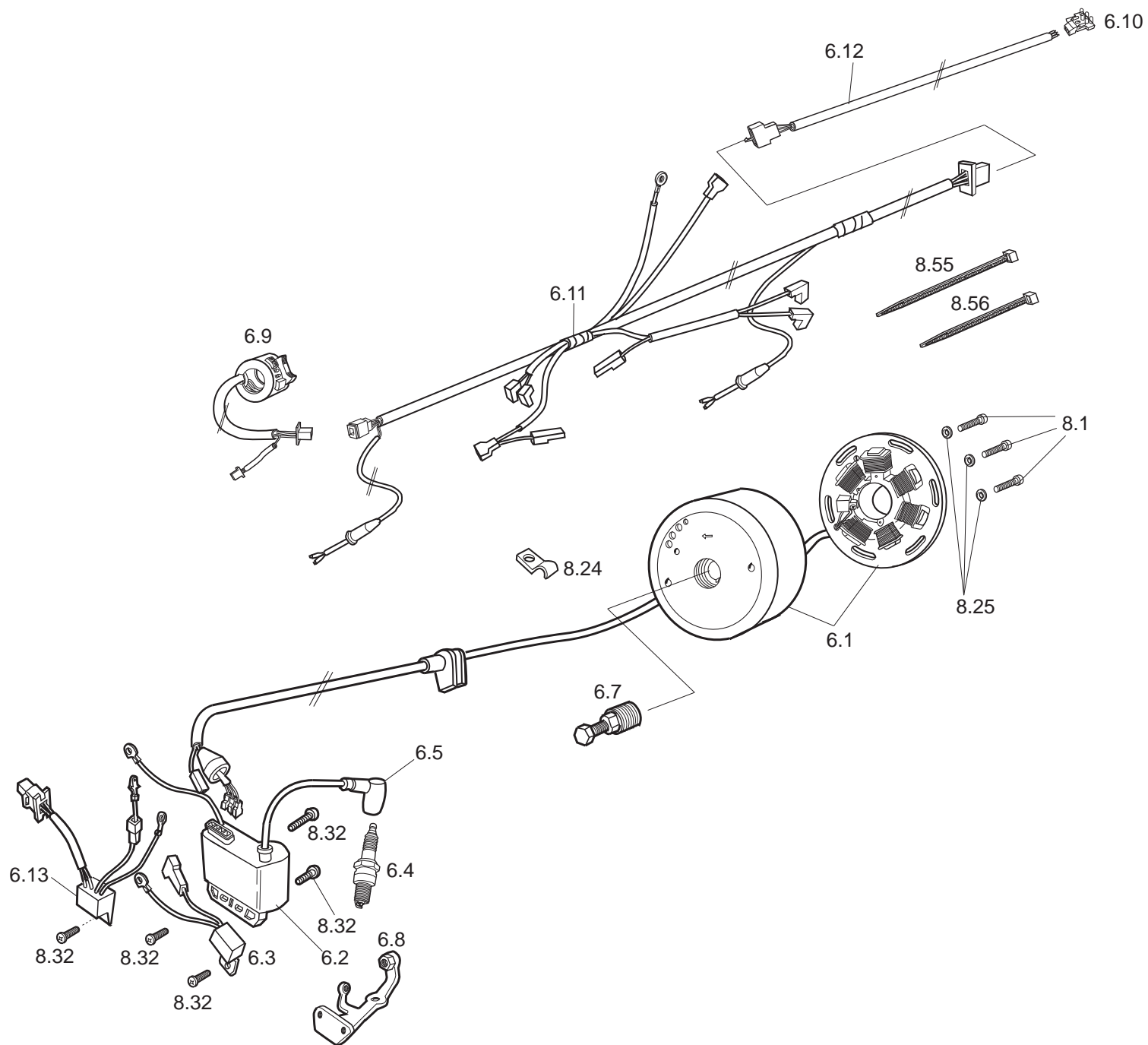
GRUPO 4



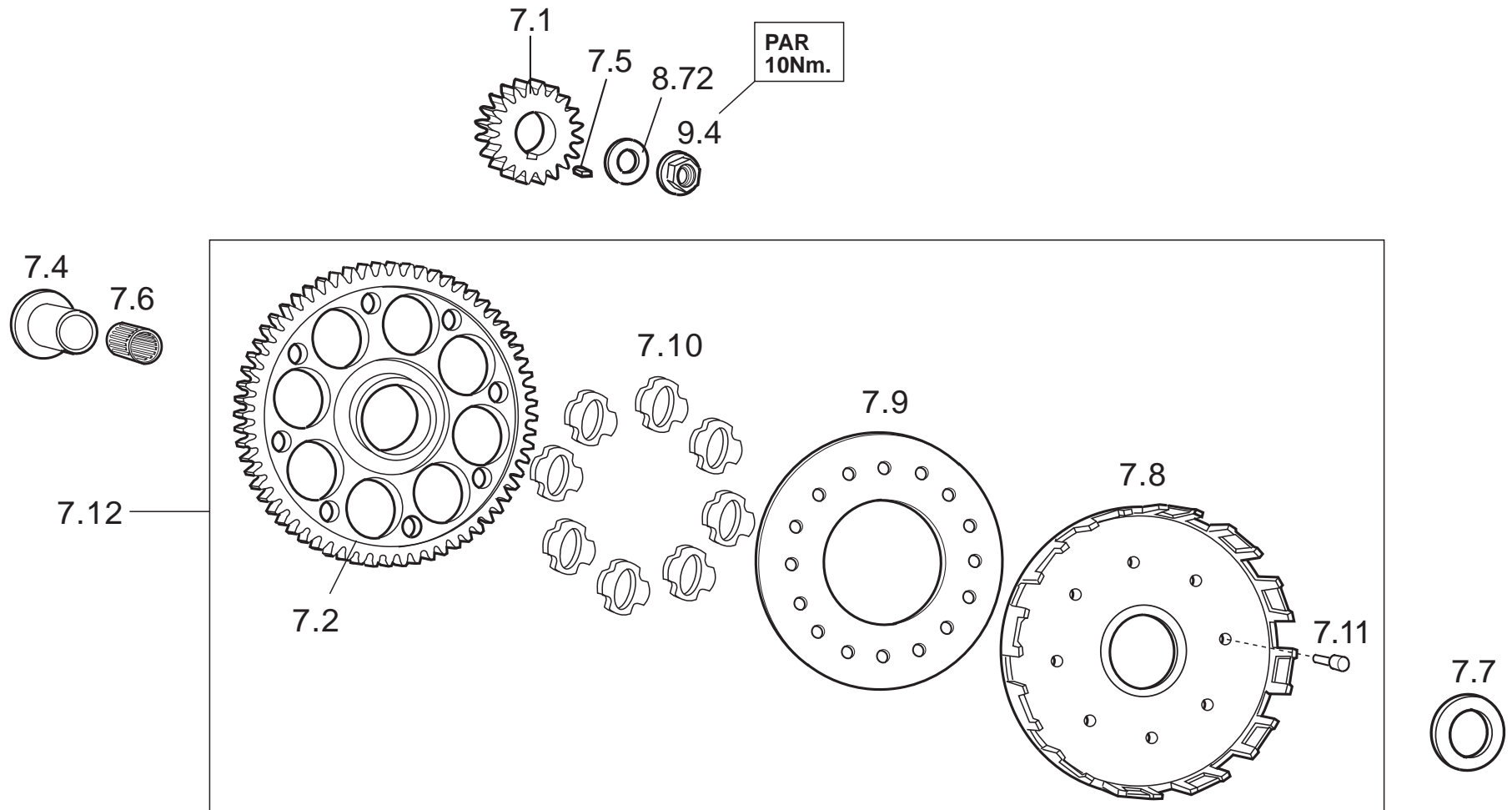
GRUPO 5



GRUPO 6



GRUPO 7





TORNILLERIA ESTÁNDAR 8

REFERENCIAS					ESPAÑOL	ENGLISH	FRANÇAIS
POS.	1.2	2.0	2.5	2.9			
8.1	M250	M250	M250	M250	TORNILLO M5X16 DIN 912	SCREW CHC 5x16	VIS CHC 5x16
8.2	M251	M251	M251	M251	TORNILLO M6X16 DIN 912	SCREW CHC 6x16	VIS CHC 6x16
8.3	M252	M252	M252	M252	TORNILLO M6X20 DIN 912	SCREW CHC 6x20	VIS CHC 6x20
8.4	M253	M253	M253	M253	TORNILLO M6X30 DIN 912	SCREW CHC 6x30	VIS CHC 6x30
8.5	M254	M254	M254	M254	TORNILLO M6X55 DIN 912	SCREW CHC 6x55	VIS CHC 6x55
8.7	M256	M256	M256	M256	TORNILLO M6X45 DIN 912	SCREW CHC 6x45	VIS CHC 6x45
8.8	M257	M257	M257	M257	TORNILLO M6X60 DIN 912	SCREW CHC 6x60	VIS CHC 6x60
8.9	M258	M258	M258	M258	TORNILLO M5X16 ULS	SCREW CHC 5x16	VIS BHC 5x16
8.10	M259	M259	M259	M259	TORNILLO M10X50 DIN 912	SCREW CHC 10x50	VIS CHC 10x50
8.11	M260	M260	M260	M260	TORNILLO M8X12 DIN 912	SCREW CHC 8x12	VIS CHC 8x12
8.13	M262	M262	M262	M262	TORNILLO M8X30 DIN 912	SCREW CHC 8x30	VIS CHC 8x30
8.14	M263	M263	M263	M263	TORNILLO M8X40 DIN 912	SCREW CHC 8x40	VIS CHC 8x40
8.15	M264	M264	M264	M264	TORNILLO M8X45 DIN 912	SCREW CHC 8x45	VIS CHC 8x45
8.16	M265	M265	M265	M265	TORNILLO M8X60 DIN 912	SCREW CHC 8x60	VIS CHC 8x60
8.17	M266	M266	M266	M266	TORNILLO M8X80 DIN 912	SCREW CHC 8x80	VIS CHC 8x80
8.18	M267	M267	M267	M267	TORNILLO M4X16 DIN 912	SCREW VIS CHC 4x16	VIS CHC 4x16
8.22	M271	M271	M271	M271	TUERCA M6 CON VALONA DIN 6923 B	COLLAR HEX NUT M6	ECROU EMBASE x6
8.23	M272	M272	M272	M272	TUERCA M8 CON VALONA DIN 6923 B	COLLAR HEX NUT M8	ECROU EMBASE x8
8.24	M273	M273	M273	M273	BRIDA NORMA BSL1X8	CAVALIER NORMA BSL 1x8	CAVALIER NORMA BSL1x8
8.25	M275	M275	M275	M275	ARANDELA 5 DIN125 A	WASHER x5	RONDELLE x 5
8.26	M276	M276	M276	M276	ARANDELA 6 ALUMINIO	GASKET RING x6	RONDELLE ALU M 6
8.27	M277	M277	M277	M277	ARANDELA 5 ALUMINIO	GASKET RING x5	RONDELLE ALU M 5
8.28	M278	M278	M278	M278	TORNILLO M5X10 ULS	SCREW BHC 5x10	BHC 5x10
8.29	M279	M279	M279	M279	TORNILLO M6X20 ULS	SCREW BHC 6x20	VIS BHC 6x20
8.30	M280	M280	M280	M280	TORNILLO M8X16 ULS	SCREW BHC 8x16	VIS BHC 8x16
8.31	M281	M281	M281	M281	TORNILLO M8X12 ULS	SCREW BHC 8x12	VIS BHC 8x12
8.32	M282	M282	M282	M282	TORNILLO M6X10 ULS	SCREW BHC 6x10	VIS BHC 6x10
8.33	M283	M283	M283	M283	TORNILLO M6X16 ULS	SCREW BHC 6x16	VIS BHC 6x16
8.34	M284	M284	M284	M284	TORNILLO M6X25 ULS	SCREW BHC 6x25	VIS BHC 6x25
8.37	M300	M300	M300	M300	TORNILLO M8X35 DIN 7991	SCREW FHC 8x35	VIS FHC 8x35
8.38	M301	M301	M301	M301	TORNILLO M8X20 DIN 7991	SCREW FHC 8x20	VIS FHC 8x20
8.39	M302	M302	M302	M302	TORNILLO M5X12 DIN 933	SCREW HEXAG 5x12	VIS HEXAG 5x12
8.40	M303	M303	M303	M303	TORNILLO M8X25 DIN 933	SCREW HEXAG 8x25	VIS HEXAG 8x25
8.41	M304	M304	M304	M304	TUERCA NYLSTOP M10	NUT NYLSTOP M10	ECROU NYLSTOP M10
8.42	M305	M305	M305	M305	TUERCA NYLSTOP M8	NUT NYLSTOP M8	ECROU NYLSTOP M8
8.43	M306	M306	M306	M306	TUERCA NYLSTOP M6	NUT NYLSTOP M6	ECROU NYLSTOP M6
8.44	M307	M307	M307	M307	TUERCA NYLSTOP M4	NUT NYLSTOP M4	ECROU NYLSTOP M4
8.45	M308	M308	M308	M308	TUERCA CLIP M6	NUT CLIP M6	ECROU CLIP M6
8.46	M310	M310	M310	M310	TUERCA REBAJADA M14X150	NUT PLAT M14 x 150	ECROU PLAT M14x150
8.47	M314	M314	M314	M314	ARANDELA X 17 DIN 125 B	WASHER x17	RONDELLE x 17
8.48	M315	M315	M315	M315	ARANDELA X 10 DIN 125 B	WASHER x10	RONDELLE x 10
8.49	M316	M316	M316	M316	ARANDELA X 8 DIN 125 B	WASHER x 8	RONDELLE x 8
8.50	M317	M317	M317	M317	ARANDELA X 6 DIN 125 B	WASHER x 6	RONDELLE x 6
8.51	M318	M318	M318	M318	ARANDELA 4X12X1 DIN 9021	WASHER 4x12	RONDELLE 4x12
8.52	M319	M319	M319	M319	ARANDELA 8X18X1.5 CONICA DIN	WASHER 8x18x1.5	RONDELLE 8x18x1.5
8.53	M320	M320	M320	M320	ARANDELA 10X30	WASHER 10x30	RONDELLE 10x30
8.54	M321	M321	M321	M321	ARANDELA 6X18X1.5 DIN 9021	WASHER 6x18	RONDELLE 6x18
8.55	M330	M330	M330	M330	BRIDA 178X4.8	COLLIER 178x4.8	COLLIER 178x4.8

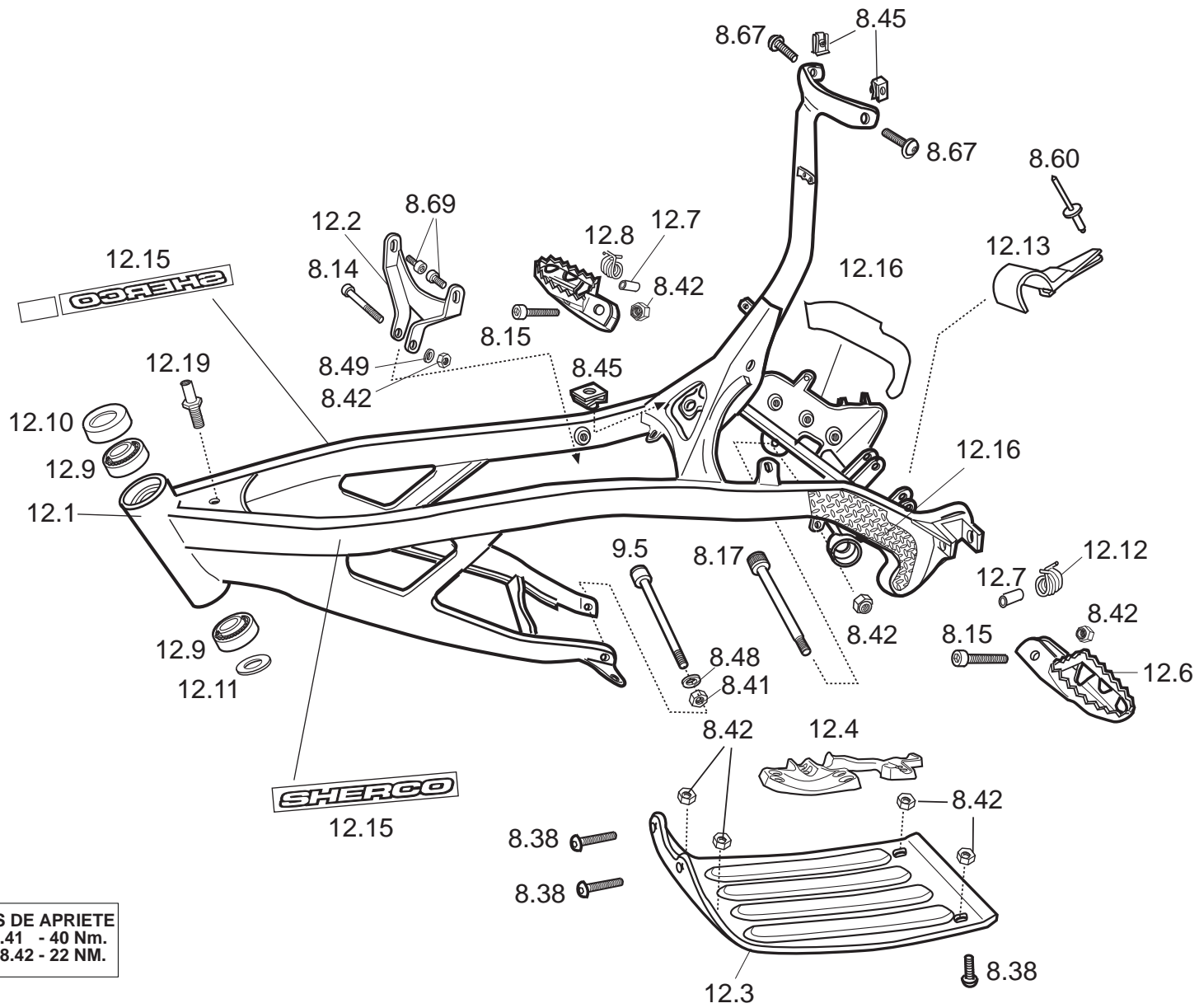
8.56	M331	M331	M331	M331	BRIDA 100X2.5	COLLIER 80x2.5	COLLIER 100x2.5
8.57	M335	M335	M335	M335	TORNILLO CHAPA 3.9X16	SCREW TOLE 3.9x16	VIS TOLE 3.9x16
8.60	M341	M341	M341	M341	REMACHE 4.8X16 ALA ANCHA	RIVET 4.8x16	RIVET 4,8X16
8.63	M309	M309	M309	M309	TUERCA M6	M6 NUT	ECROU M6
8.64	M311	M311	M311	M311	TUERCA M5	M5 NUT	ECROU M5
8.65	M287	M287	M287	M287	TORNILLO CORONA M6X22 ULS	SCREW BHC 8X22	VIS BHC 8X22
8.66	M249	M249	M249	M249	TORNILLO M6X20 DIN 6912	SCREW CHC 6X20	VIS CHC TETE BASSE 6X20
8.67	M345	M345	M345	M345	TORNILLO CARROCERIA M6X12		VIS BHC 6X12 CAROSSERIE
8.68	M288	M288	M288	M288	TORNILLO 5X6 ULS	SCREW BHC 5X6	VIS BHC 5X6
8.69	M344	M344	M344	M344	TORNILLO M8X16 DIN 6912		VIS CHC 8X16 TETE BASSE
8.70	M289	M289	M289	M289	TORNILLO M6X12 ULS		VIS BHC M6X12
8.71	M343	M343	M343	M343	TORNILLO M6X35 ULS		VIS BHC 6X35
8.72	M206	M206	M206	M206	ARANDELA CONICA 14.2X25X1.5	SPRING WASHER	RONDELLE BELLEVILLE 14.2X28X1.5
8.73	M342	M342	M342	M342	TORNILLO CHAPA 3.5X9.5		VIS TOLE 3.5X9.5
8.74	M274	M274	M274	M274	ARANDELA DENTADA 6 DIN 67985		RONDELLE GROSVER X6 DIN 67985
8.75	M261	M261	M261	M261	TORNILLO M8X20 DIN 912	SCREW CHC 8X20	VIS CHC M8X20
PARES APRIETE							
TONILLO M5-8 Nm		TORNILLO M6-12 Nm		TORNILLO M8-22Nm		TORNILLO M10-50 Nm	



TORNILLERIA ESPECIAL 9

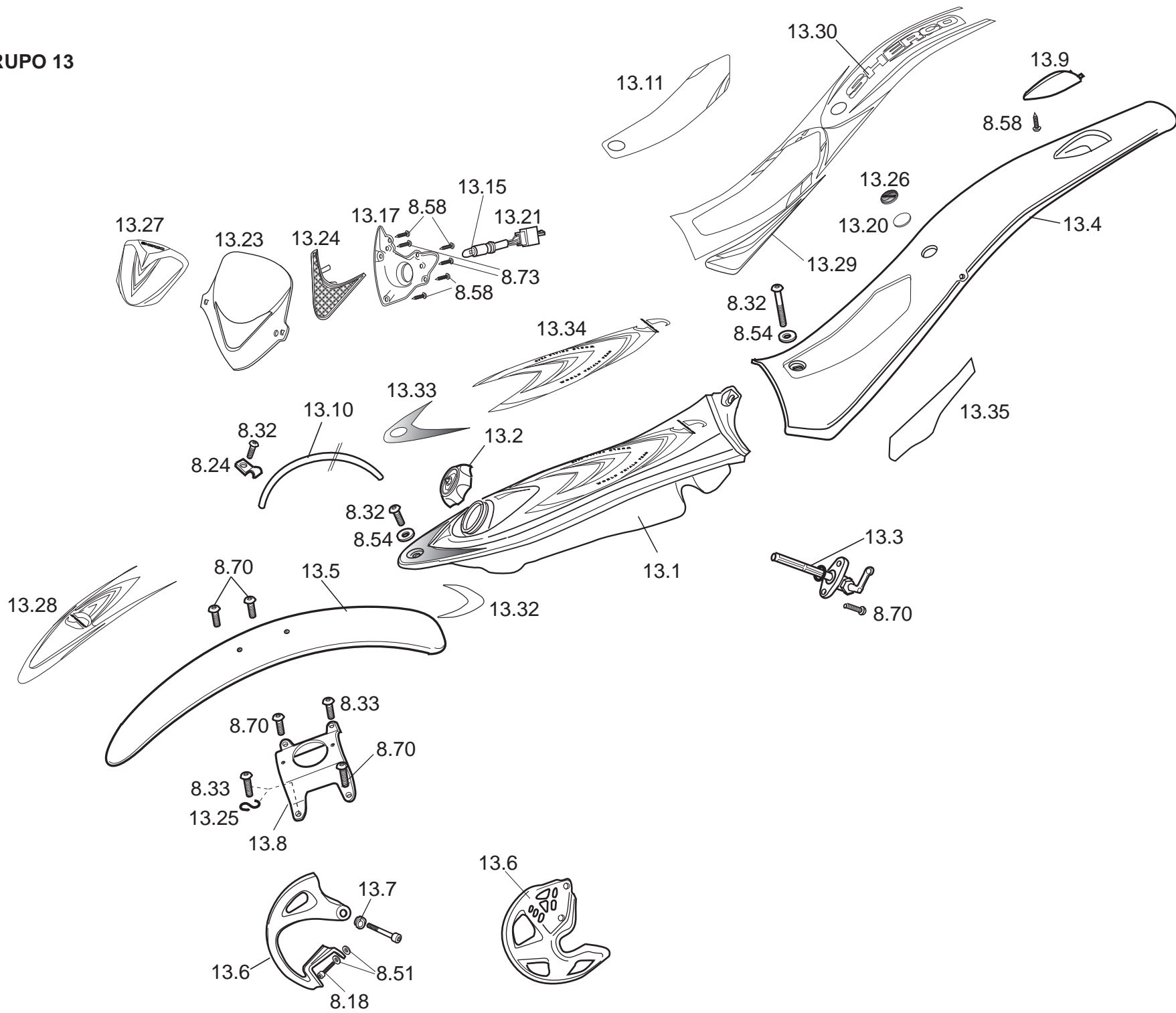
REFERENCIAS					ESPAÑOL	ENGLISH	FRANÇAIS
POS.	1.2	2.0	2.5	2.9			
9.1	M290	M290	M290	M290	ESPARRAGO CULATA 6X38	STUD CYLINDER HEAD 6x38	GOIJON DE CULASSE 6x38
9.2	M291	M291	M291	M291	ESPARRAGO CILINDRO 8X46	STUD CYLINDER 8x46	GOIJON DE CILYNDRE 8x46
9.3	M293	M293	M293	M293	TUERCA CUBO EMBRAGUE M16X125	HEX NUT CLUTCH M16x125	ECROU NOYAU EMB M16x125
9.4	M295	M295	M295	M295	TUERCA 14X125	HEX NUT M14x125	ECROU 14x125
9.5	M296	M296	M296	M296	TORNILLO MOTOR	FRONT PIN ENGINE	AXE MOTEUR AV

GRUPO 12

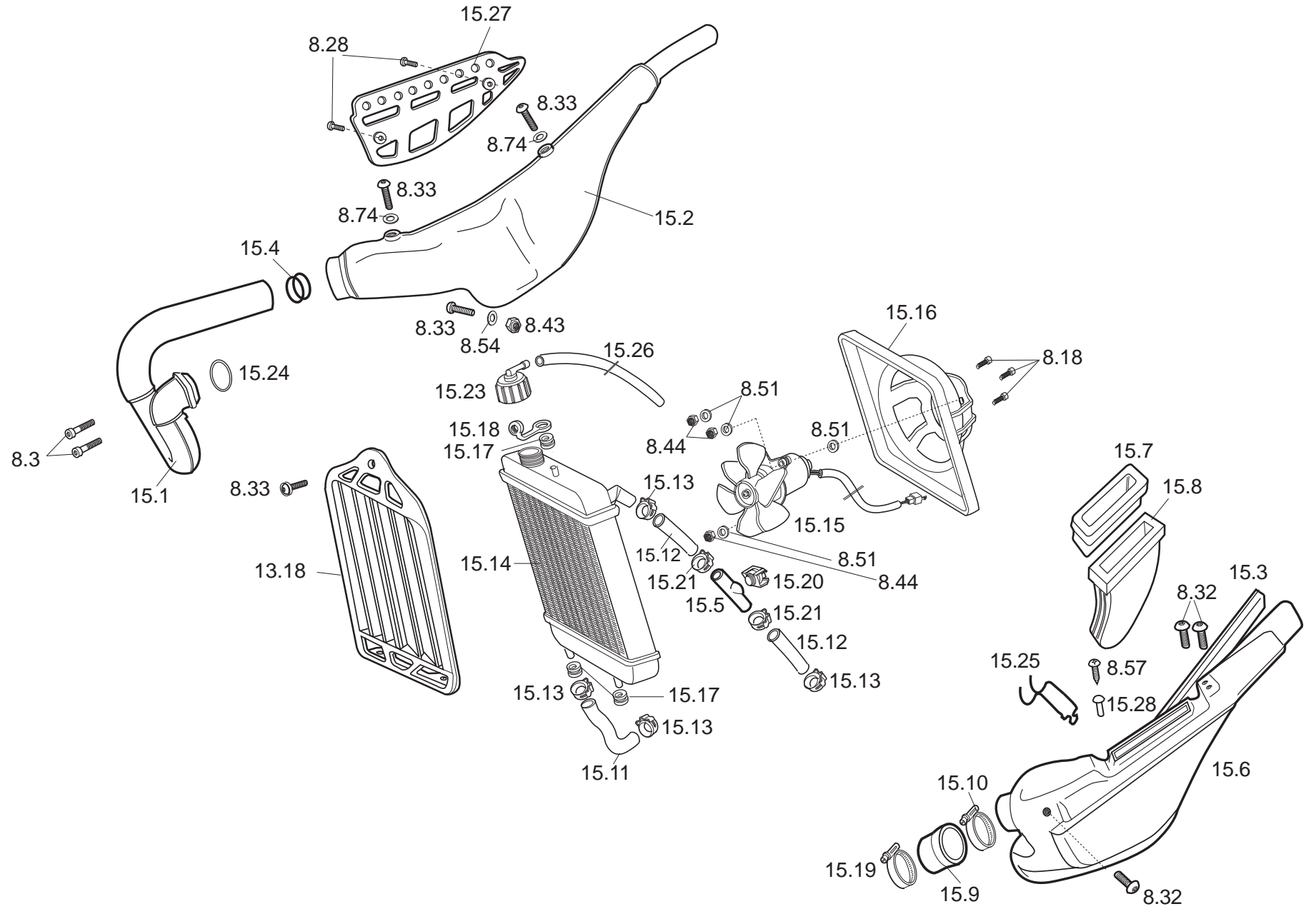


PARES DE APRIETE
 9.5 ÷ 8.41 - 40 Nm.
 8.17 ÷ 8.42 - 22 NM.

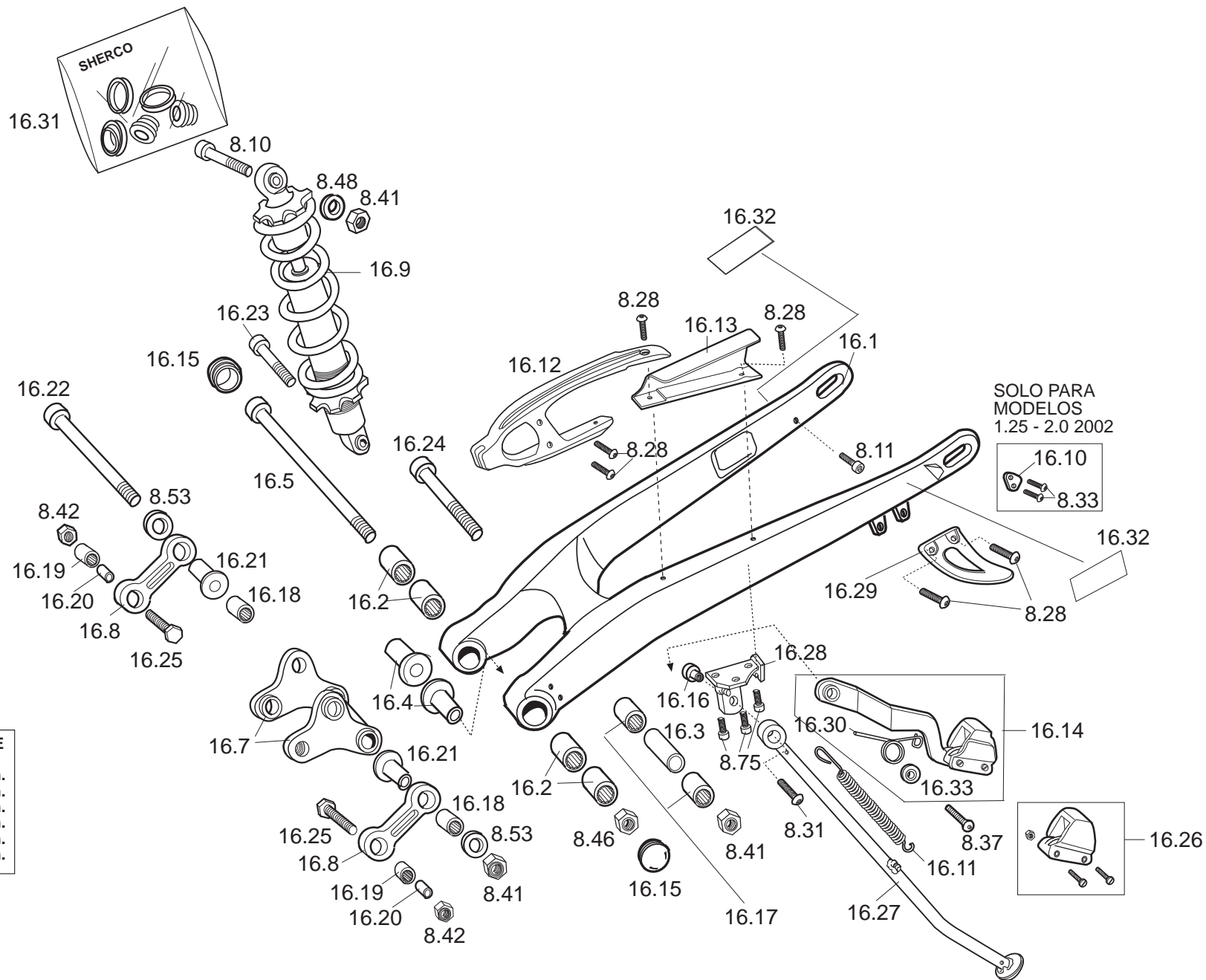
GRUPO 13



GRUPO 15



GRUPO 16

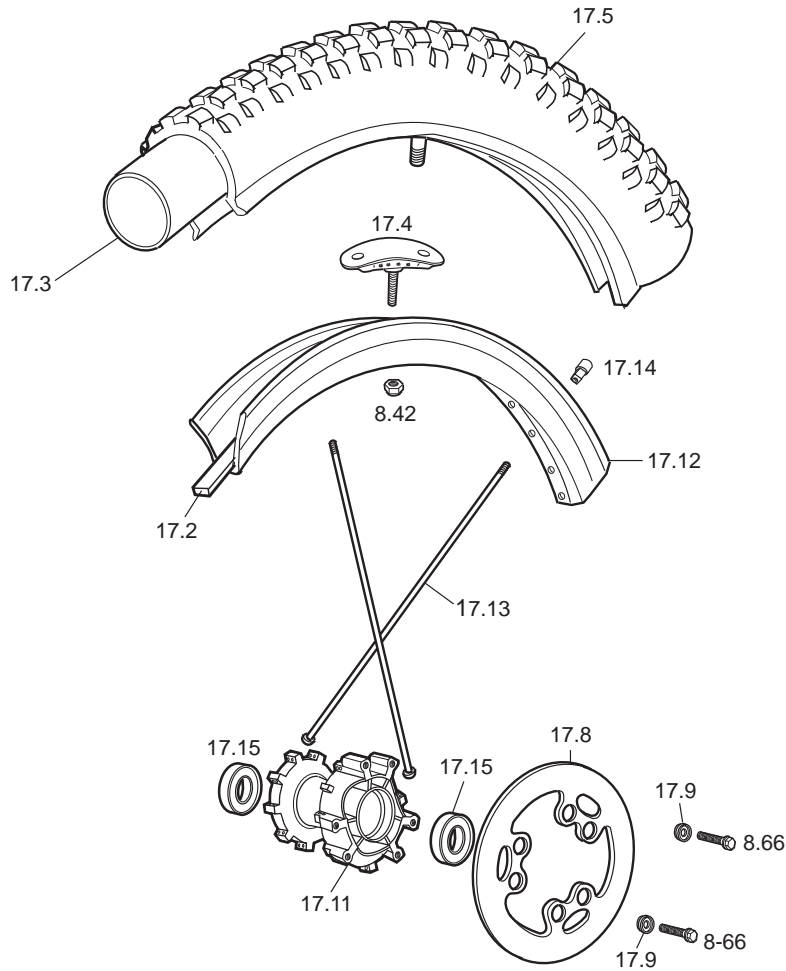


PARES DE APRIETE

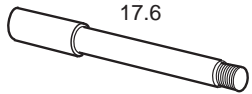
8.10 ÷ 8.41 - 40 Nm.
 16.23 ÷ 16.7 - 50 Nm.
 16.5 ÷ 16.16 - 50 Nm.
 16.22 ÷ 8.41 - 40 Nm.
 16.25 ÷ 8.42 - 25 Nm.
 16.24 ÷ 8.41 - 40 Nm.

GRUPO 17

MODELOS 1.25 - 2.0

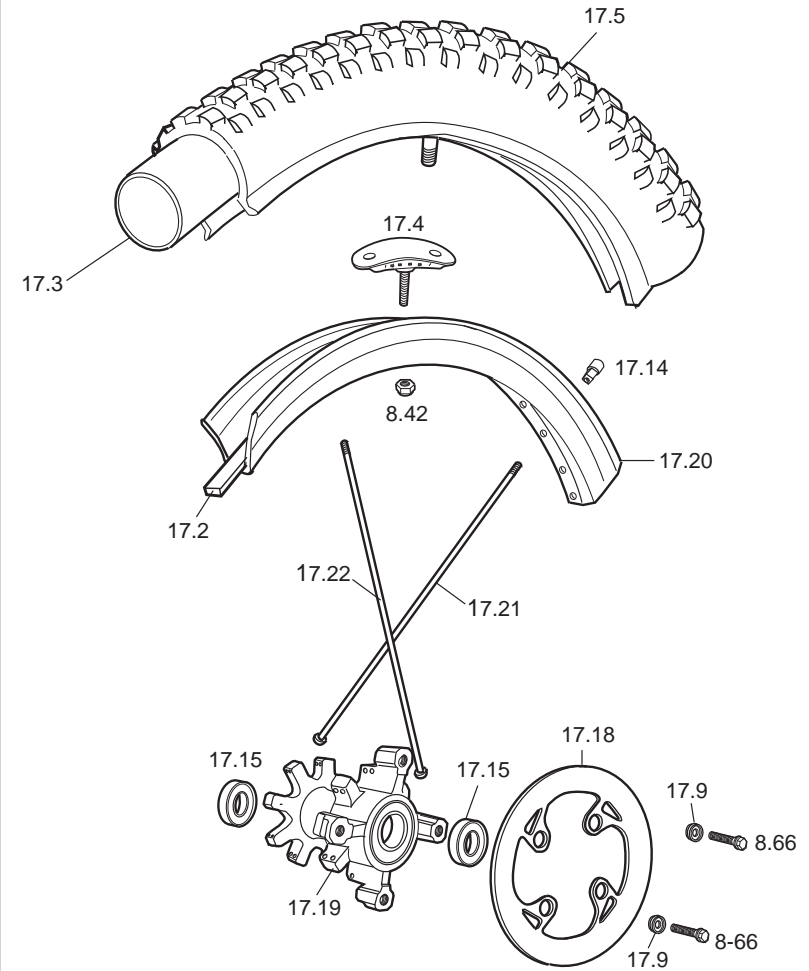


PAR
50 Nm.



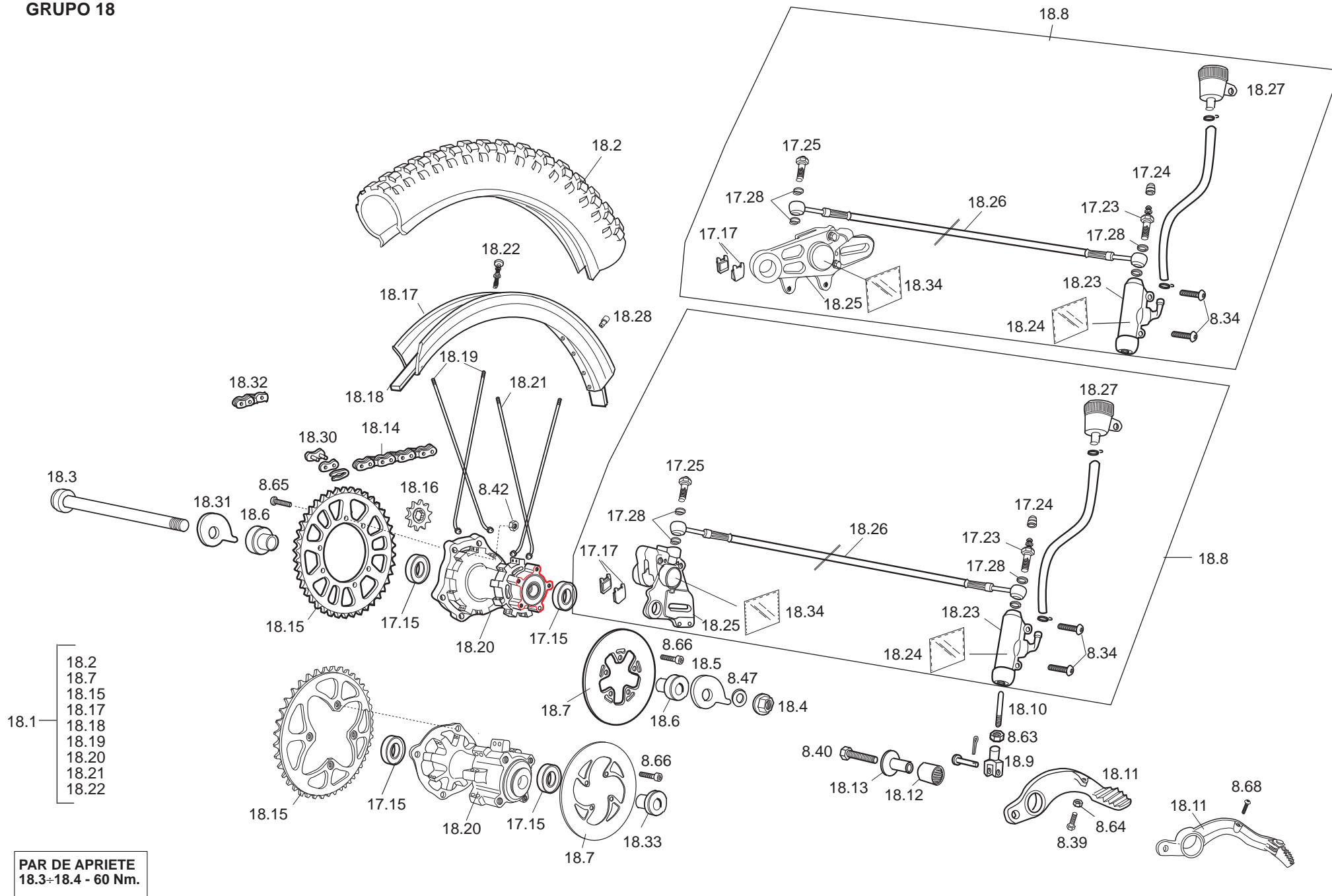
17.1	
8.42	17.13
8.43	17.14
17.3	17.15
17.4	
17.5	
17.8	
17.9	
17.11	
17.12	

MODELOS 2.5 - 2.9

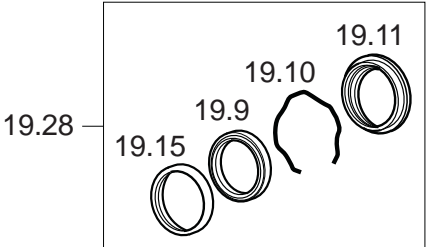
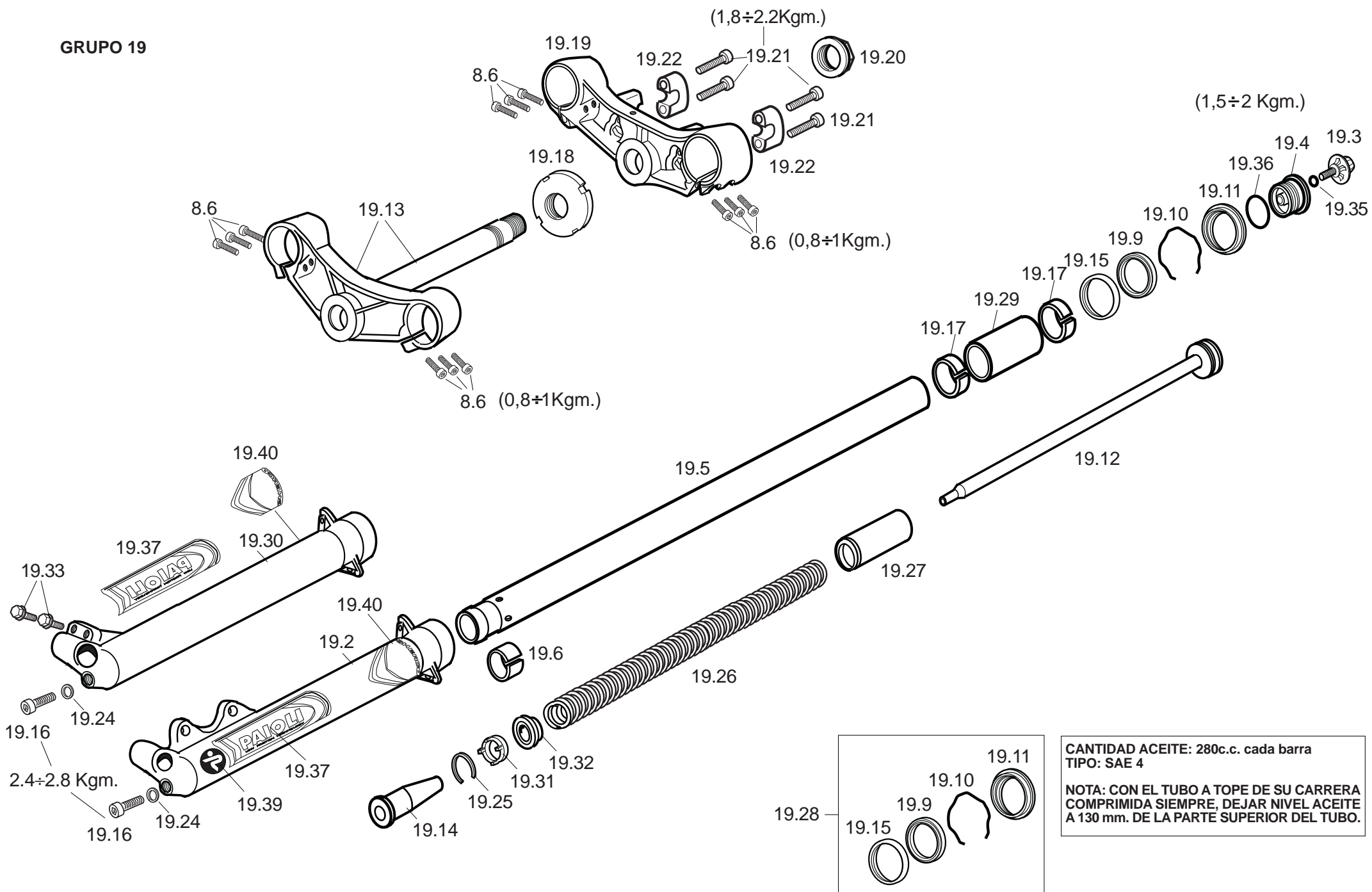


17.16	
8.42	17.19
8.66	17.20
17.2	17.21
17.3	17.22
17.4	
17.5	
17.9	
17.14	
17.15	
17.18	

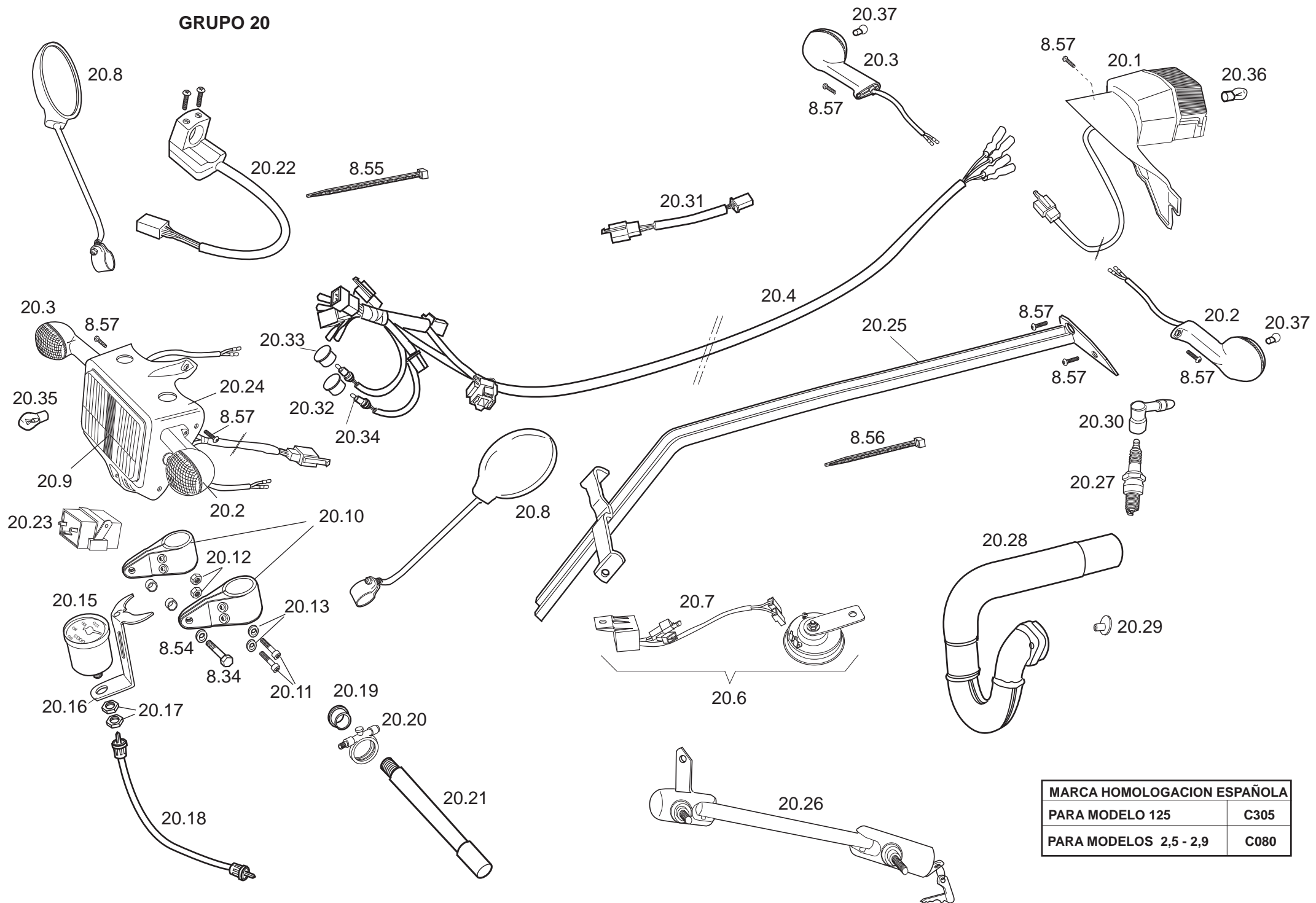
GRUPO 18



GRUPO 19



GRUPO 20



MARCA HOMOLOGACION ESPAÑOLA	
PARA MODELO 125	C305
PARA MODELOS 2,5 - 2,9	C080



KIT HOMOLOGACIÓN 20

REFERENCIAS					ESPAÑOL	ENGLISH	FRANÇAIS
POS.	1.2	2.0	2.5	2.9			
20.1	S231		S231	S231	PILOTO TRASERO COMPLETO	REAR LIGHT ASSY	FEU ROUGE ARRIERE LUXAR
20.2	S233		S233	S233	INTERMITENTE IZQUIERDO	L/H INDICATOR	CLIGNO 65201005
20.3	S234		S234	S234	INTERMITENTE DERECHO	R/H INDICATOR	CLIGNO 65201004
20.4	S252		S252	S252	INSTALACION INTERMITENTES	LIGHT COIRE LOOM	FAISSEAU ELECT CLIGNO CEE
20.6	C042		C042	C042	CLAXON	HORN	AVERTISSEUR SONORE
20.8	S232		S232	S232	RETROVISOR	MIRROR	RETROVISEUR
20.9	S230		S230	S230	FARO DELANTERO	FRONT LIGHT ASSY	GROUPE FHARE AVANT CEV
20.10	S285		S285	S285	SOPORTE FARO	F/ LIGHT MOUNTING BRACKETS	SUPPORT PLAQUE PHARE HOMOLOGATION
20.11	M252		M252	M252	TORNILLO M6X20 DIN 912	BOLTS	VIS CHC M6X20
20.12	M306		M306	M306	TUERCA M6	NUTS	ECROU NYLSTOP M6
20.13	M322		M322	M322	ARANDELLA 6X14	WASHER	RONDELLE 6X14 CEE
20.15	R201		R201	R201	CUENTA KILOMETROS	SPEEDOMETER CLOCK	COMPTEUR DE VITESSE
20.16	S287		S287	S287	SOPORTE CUENTA KM	BRACKET	SUPPORT COMPTEUR FOURCHE
20.17	R202		R202	R202	TUERCA	NUT (LOOK)	ECROU SPECIAL COMPTEUR
20.18	R203		R203	R203	CABLE CUENTA KM	SPEEDO CABLE	CABLE COMPTEUR DE VITESSE
20.19	R199		R199	R199	CASQUILLO REENVIO	SPACER	RUBAN ADESIF SHERCO
20.20	R200		R200	R200	REENVIO	SPEEDO DRIVE	ENTRAINEUR DE COMPTEUR
20.21	R209		R209	R209	EJE ESPECIAL	FRONT WHEEL AXLE	AXEA ROUE SPECIAL COMPTEUR
20.22	S288		S288	S288	CONMUTADOR DE INTERMITENCIAS	ELECTRIC CABLE HOMOLOGATION	FAISSEAU ELCTRIQUE+CONMUTATEUR CLIGNO
20.23	S289		S289	S289	CENTRAL INTERMITENCIAS	INDICATION LIGTH CENTRAL	CENTRAL CLIGNO HOMOLOGATION
20.24	S251		S251	S251	PLACA FARO	FRONT LIGHT COVER	PLAQUE FHARE
20.25	C306		C306	C306	SOPORTE PILOTO TRASERO HOMOLOG	SUPPORT HOMOLOGATION LIGHT	SUPPORT FEU HOMOLOGATION
20.26	C398		C398	C398	ANTIRROBO	BOLT	ANTIVOL
20.27	C396		C396	C396	BUJIA ANTIPARASITARIA R	SPARK PLUG ANTIPARASIT	BOUGIE ANTIPARASITE HOMOL
20.28	C399		C311	C311	TUBO ESCAPE CON OBTURADOR	EXHAUST PIPE HOMOLOGATION	TUBE ECHAPEMENT HOMOL
20.29	C397		C397	C397	REDUCCION CARBURADOR	REDUCTION CARBURETOR	REDUCTION CARBU HOMOL
20.30	C334		C334	C334	PIPA HOMOLOGACION R	PLUG COVER HOMOLOGATION	ANTIPARASITE HOMOLOGUE
20.31	C395		C395	C395	ALARGO INSTALACION PILOTO TRASERO	EXTENSION CABLE	RALLONGE FAISSEAU FEU ARR HOMOL
8.55	M330		M330	M330	ABRAZADERA 178X4.8	BRACKET 178X4.8	COLLIER 178X4.8
8.56	M331		M331	M331	ABRAZADERA 100X2.5	BRACKET 100X2,5	COLLIER 100X2.5
8.54	M321		M321	M321	ARANDELA M6X18	WASHER 6X18	RONDELLE M6X18
20.32	C400		C400	C400	TESTIGO VERDE	TEST LIGHT GREEN	TEMOIN VERD
20.33	C401		C401	C401	TESTIGO AZUL	TEST LIGHT BLU	TEMOIN BLEU
20.34	C402		C402	C402	BOMBILLA TESTIGOS 13W 12V	BULB TEST	AMPOULE TEMOIN 13W 12V
20.35	C403		C403	C403	BOMBILLA FARO 35/35W 12V	BULB FRONT LIGHT	AMPOULE FARE 35/35W 12V
20.36	C404		C404	C404	BOMBILLA PILOTO TRAS 21/5W 12V	BULB BACK LIGHT	AMPOULE PILOTE ARR 21/5W 12V
20.37	C405		C405	C405	BOMBILLA INTERMITENTES 10W/12V	BULB IND LIGHT	AMPOULE CLIGNO 10W/12V
8.34	M284		M284	M284	TORNILLO M6X25 ULS	SCREW M6X25	VIS BHC M6X25
8.57	M335		M335	M335	TORNILLO ROSCA CHAPA 3.9X16	SCREW 3.9X6	VIS TOLE 3.9X16

SHERCO

Motorcycles

Junior
**World
Champion
2001**

with
Josep Manzano



www.sherco-moto.com

SHERCO s.A.R.L. <information@sherco-moto.com> Fax : +34 93 865 56 91